



HUBER

Drum Screen LIQUID

Reliable fine screening with maximum separation efficiency

- ▶ Maximum retention of fibres and hair
- ▶ Operating reliability for membrane bioreactors
- ▶ Maximum COD / BOD₅ reduction rates

More information,
downloads and
current news



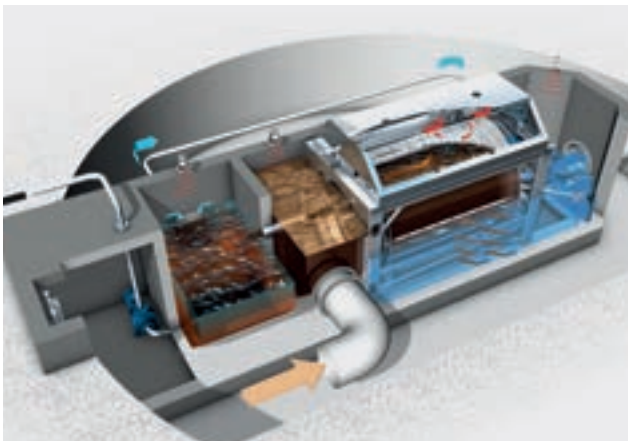
Design and function

The characteristic feature of the HUBER Drum Screen LIQUID is its screen basket which is horizontally installed in the channel or in a tank. The wastewater to be treated flows through the basket from inside to outside. Whilst the wastewater flows through the open front into the screen basket, solids are retained within the drum. A special sealing between the channel and the front-end screen basket opening prevents unscreened wastewater from passing through the screen basket. The solids settling on the drum surface lead to gradual blinding of the surface. As a result, the water level upstream of the screen rises. When the predefined maximum water level has been reached, the screen basket starts to rotate around its axis to clean its surface. At its crown a spray nozzle bar sprays water onto the drum surface from outside to remove the solids and flush them into a trough inside the drum basket from where the screenings are discharged by gravity. The screenings can optionally be pumped to a higher level.

The HUBER Wash Press WAP® liquid (see separate brochure) is available for further treatment of the separated screenings. The wash press dewateres the screenings prior to discharging them into a container.

Technical data

- ▶ 3 sizes with 8 different lengths
- ▶ Drum diameter from 1.3 to 2.2 m
- ▶ drum length up to 4 m
- ▶ perforated plate from 1.5 up to 3 mm
- ▶ mesh sizes from 0.2 up to 0.75 mm
- ▶ bar spacings from 0.5 up to 3 mm
- ▶ for channel or tank installation
- ▶ completely made of stainless steel and acid-treated in a pickling bath for maximum corrosion resistance



CarbonWin® System: the better primary settlement tank for optimal reduction rates (see separate brochure).

A tailored solution to suit any application

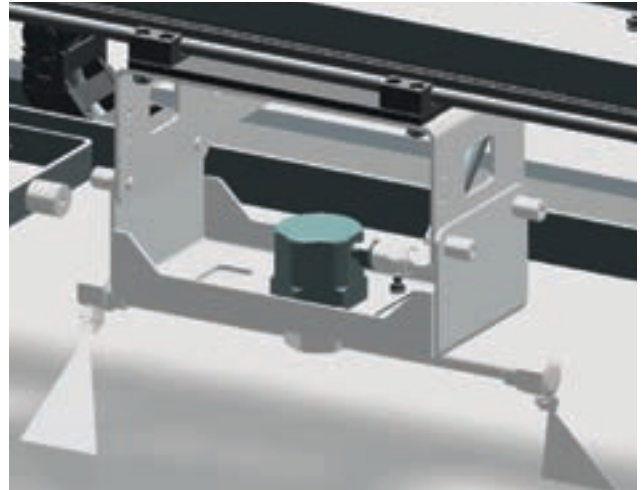
- ▶ industrial and municipal applications
- ▶ primary and secondary treatment stage
- ▶ protection of membrane plants
- ▶ replacement for primary settlement tank
- ▶ load reduction in the biological treatment system through reduction of COD / BOD / AFS
- ▶ screening in the inlet to power plants
- ▶ treatment of cooling water circuits
- ▶ brewery wastewater
- ▶ river and sea outfall
- ▶ surface and river water screening

The benefits are obvious

- ▶ high throughput capacity – maximum separation efficiency
- ▶ easy maintenance
- ▶ low operation costs
- ▶ low life-cycle costs
- ▶ optional high pressure cleaning reduces maintenance requirements
- ▶ for channel or tank installation
- ▶ various possible applications
- ▶ maximum corrosion protection through stainless steel design and acid treatment in a pickling bath

High pressure cleaning

For preventive basket cleaning an innovative automatic high pressure system can be integrated as an option. The spray nozzle head rotates automatically due to the water pressure and moves linearly along the full length of the screen basket to clean the complete basket thoroughly and efficiently. Water demand and operator attendance are reduced to a minimum.



Automatic high pressure cleaning system of the HUBER Drum Screen LIQUID.

Reliable sealing

Every system is only as good as its sealing system in the inlet of the machine. A special PU sealing is therefore integrated in the HUBER Drum Screen LIQUID to ensure that no unscreened wastewater can pass through the screen and best separation results are met constantly and reliably.



Polyurethane sealing in the inlet of the HUBER Drum Screen LIQUID.

Low-maintenance direct drive

The HUBER Drum Screen LIQUID is equipped with a unique, self-adjusting bearing unit. The drum can therefore be mounted stress-free with automatic angle compensation. The bearings are automatically lubricated for maximum availability.



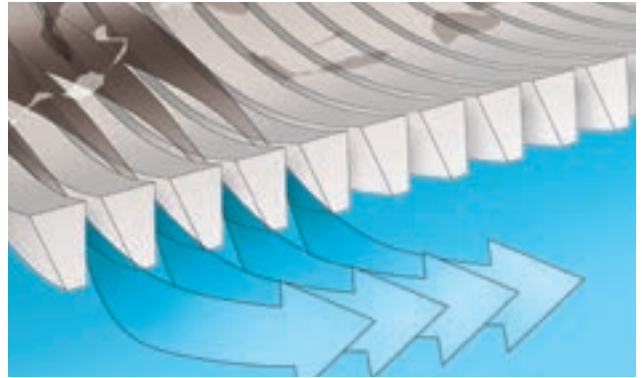
Low-maintenance chain drive on the HUBER Drum Screen LIQUID.

Drum Screen LIQUID ww

HUBER Drum Screen LIQUID with wedge wire drum, wedge wire sizes 0.5 / 1 / 2 / 3 mm.

Solids retention with high throughput capacities of up to 10,000 m³/h per machine.

Typical applications:
Mechanical pretreatment on sewage treatment plants, industrial solids-liquid separation



Wedge wire for high hydraulic throughputs.

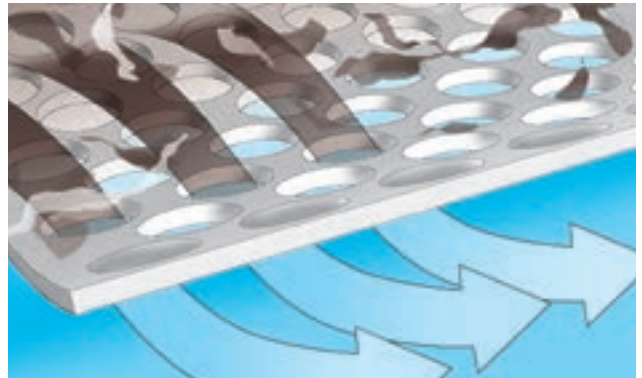
Drum Screen LIQUID pp

HUBER Drum Screen LIQUID with perforated plate, perforations 1.5 / 1 / 2 / 3 mm.

High separation efficiency and retention of fibres and hair.

Typical applications for 1 and 2 mm perforation:
Protection of hollow-fibre membrane filtration plants

Typical applications 3 mm perforation:
Protection of plate membrane filtration plants



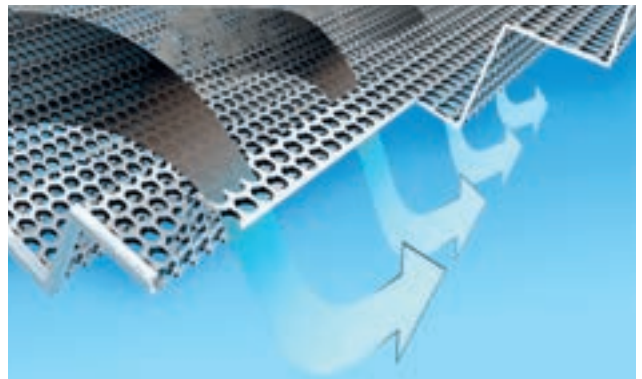
Perforated plate for high separation efficiency and at the same time high hydraulic capacity.

Drum Screen LIQUID mesh

HUBER Drum Screen LIQUID with mesh, mesh sizes from 0.2 up to 0.75 mm.

Maximum separation efficiency and reduction of COD and BOD by up to 40%.

Typical applications:
Load reduction in the preliminary treatment stage
Replacement for primary settlement tank
Sea and river outfall applications

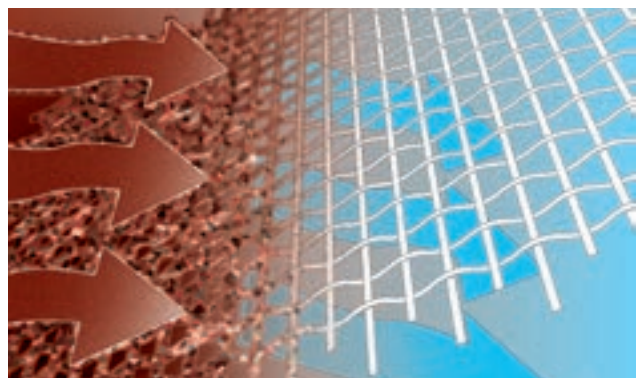


Folded perforated plate STAR with increased screen surface.

Drum Screen LIQUID mesh

HUBER Drum Screen LIQUID with mesh, mesh sizes from 0.2 up to 0.75 mm.
Maximum separation efficiency and reduction of COD and BOD by up to 40%.

Typical applications:
Load reduction in the preliminary treatment stage
Replacement for primary settlement tank
Sea and river outfall applications



Mesh for maximum separation requirements.

Application example: load reduction in the biological treatment stage

Due to its excellent separation efficiency the HUBER Drum Screen LIQUID mesh is very well suited to be used to reduce the solids loads in the biological treatment stage. A HUBER Drum Screen LIQUID mesh with 0.3 mm mesh size for example achieves reduction rates of up to 60% for filterable solids (AFS) and up to 40% for chemical oxygen demand (COD). Peak loads can thus be balanced, aeration energy in the aerobic treatment stage can be saved and the capacity of the sewage treatment plant increased. Moreover, the screenings separated by the HUBER Drum Screen LIQUID can be passed to the digester to increase biogas production.

Another application of the HUBER Drum Screen LIQUID mesh is its installation as replacement of the primary settlement tank. Due to its low space requirements and low hydraulic loss the HUBER Drum Screen LIQUID is also very well suited to be used to upgrade and modernize existing sewage treatment plants.



HUBER Drum Screen LIQUID for maximum separation efficiency and at the same time low pressure losses.



Screenings separated by the HUBER Drum Screen LIQUID mesh: The load to be handled in the biological treatment stage is reduced and more gas can be produced in the digester.

HUBER SE

Industriepark Erasbach A1 | 92334 Berching

Phone: +49 8462201-0 | info@huber.de

www.huber.de

HUBER Drum Screen LIQUID

Subject to technical modification | 0,1 / 2 – 5.2022 – 5.2016